

# Sample Boards 2014

---

LAST UPDATED: 15-03-2021

---

DEMO



# Sample Boards

14-001 Sample Board Cramer I.....	3
14-003 Sample Board Pei I .....	4
14-003-1.....	4
14-003-2.....	5
14-004 Sample Board Mattoni .....	6
14-004-1.....	6
14-004-2.....	7
14-005 Sample Board Shafiei VI .....	8
14-006 Sample Board Pribiag I .....	9
14-013 Sample Board Samkharadze.....	10
14-013.....	10
14-013-2.....	11
14-016 Sample Board Buscema I .....	12
14-019 Sample Board Beukman .....	13
14-019.....	13
14-019-2.....	14
14-020 Sample Board Mensingh .....	15
14-020.....	15
14-020-2.....	15
14-021 Sample Boards Kawakami .....	17
14-022 Sample Boards Baart.....	18

# 14-001 Sample Board Cramer I

## Connector:

4x SMA Straight Angle

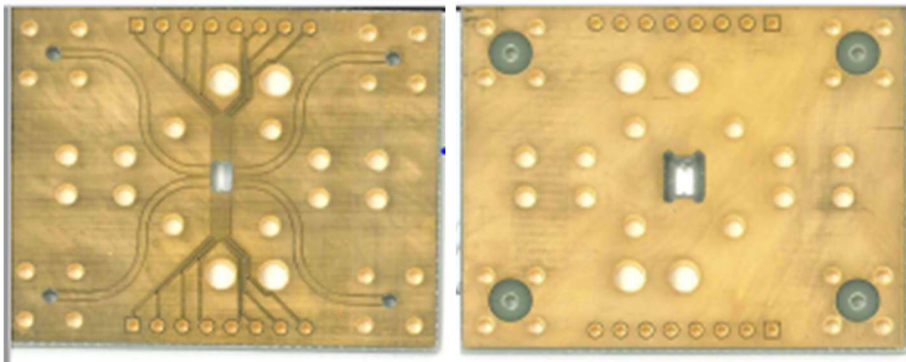
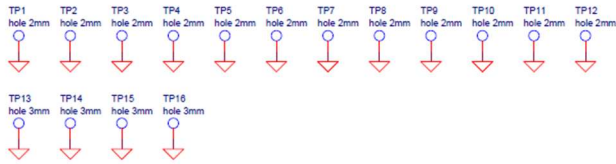
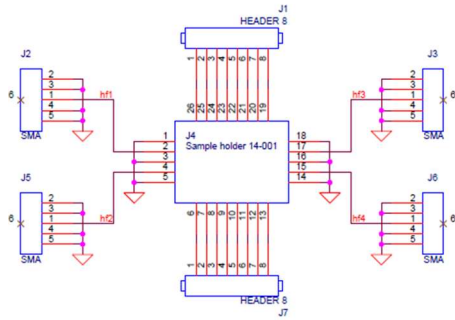
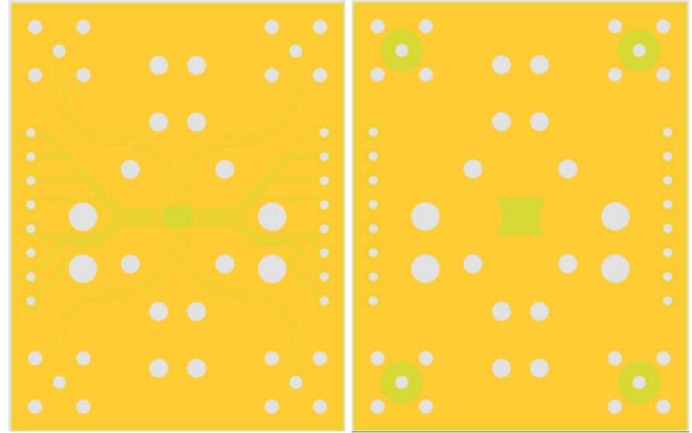
## Copper Finish:

Chemisch Ni/Au Selectief

## Size (LxWxT):

45 x 35 x 1.55

## Schematic:



# 14-003 Sample Board Pei I

14-003-1

## Connector:

2x Nano-D 50-pins Right Angle

1x SMP Straight Angle

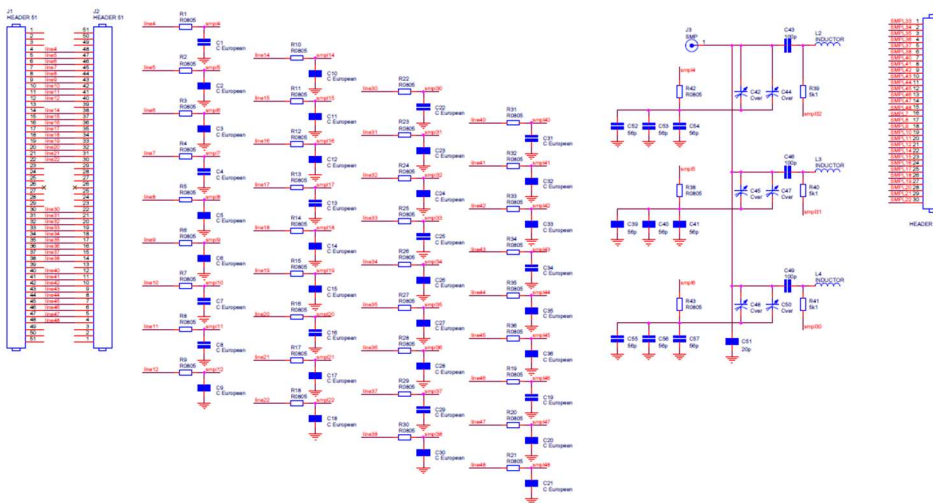
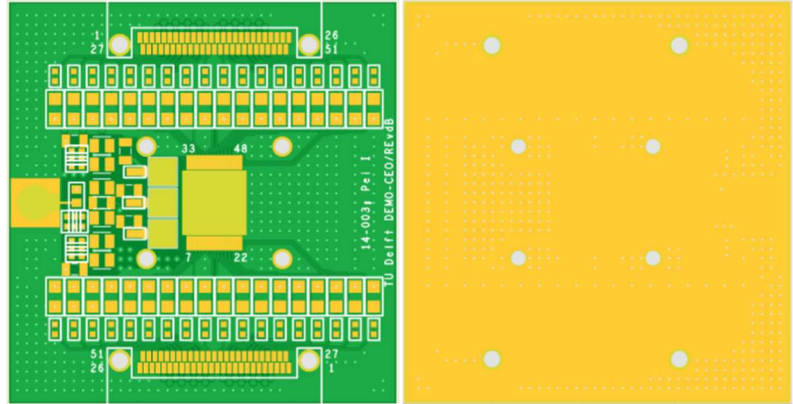
## Copper Finish:

Chemisch Ni/Au Selectief

## Size (LxWxT):

43 x 41.5 x 0.8

## Schematic:



14-003-2

**Connector:**

2x Nano-D 50-pins Right Angle

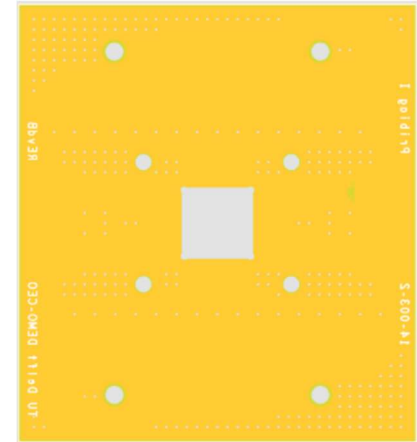
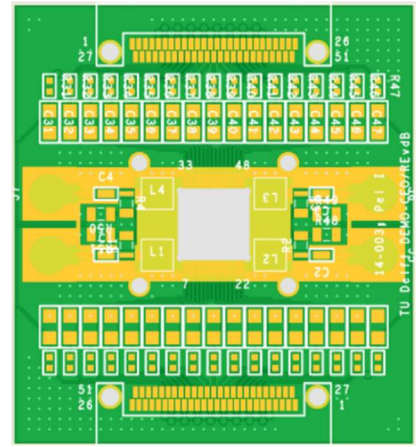
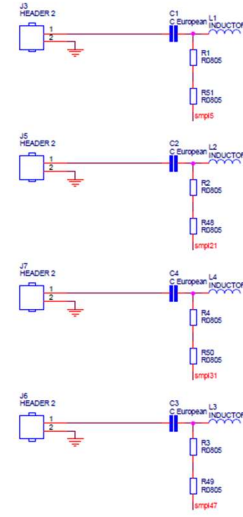
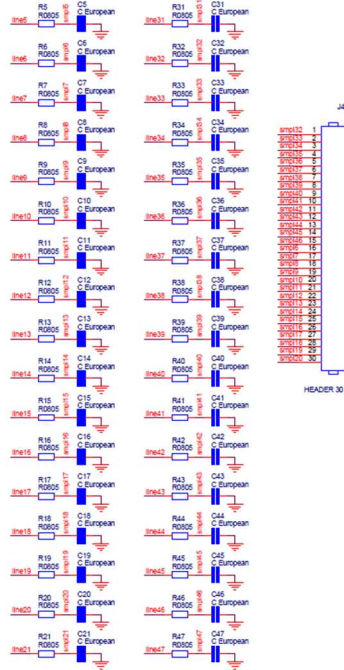
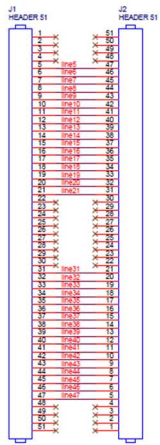
**Copper Finish:**

Chemisch Ni/Au Selectief

**Size (LxWxT):**

43 x 39 x 0.8

**Schematic:**



# 14-004 Sample Board Mattoni

14-004-1

**Connector:**

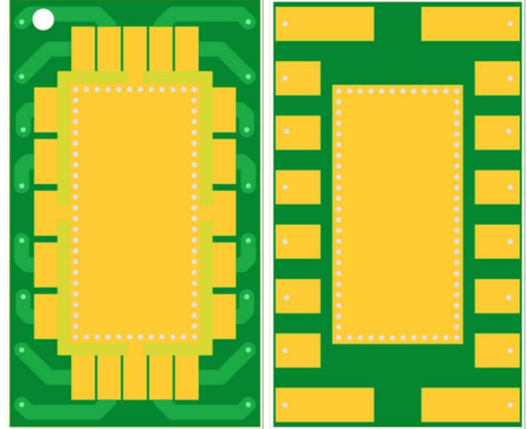
**Copper Finish:**

Chemisch Ni/Au Selectief

**Size (LxWxT):**

11.75 x 20 x 1.55

**Schematic:**



14-004-2

Connector:

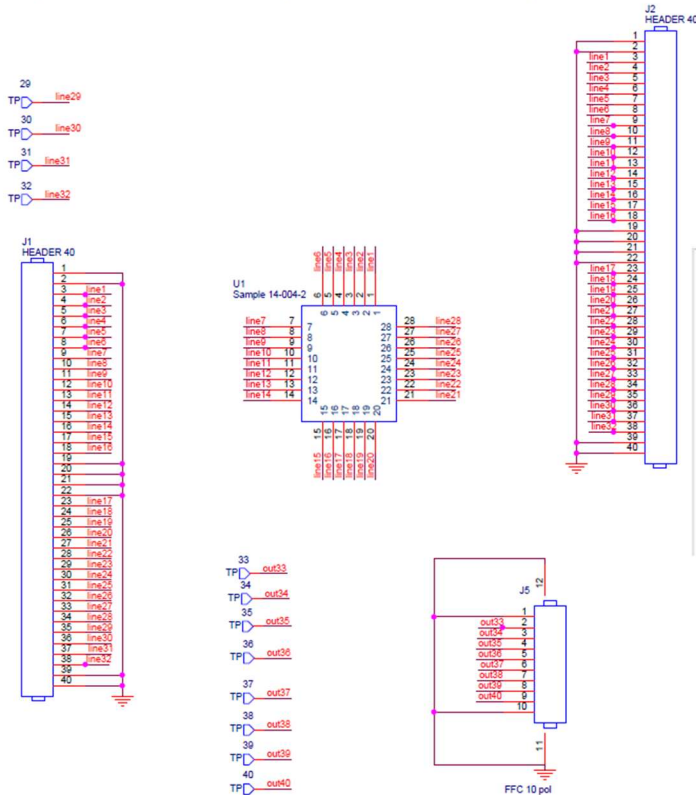
Copper Finish:

Chemisch Ni/Au Selectief

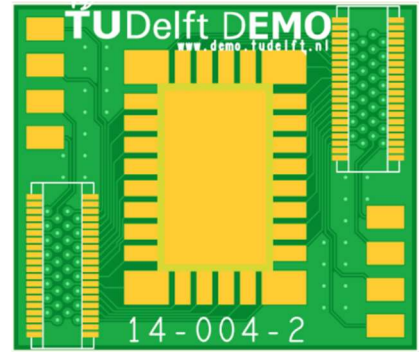
Size (LxWxT):

24 x 28 x 1.55

Schematic:



Let op aansluitingen J5 gewijzigd



# 14-005 Sample Board Shafiei VI

## Connector:

2x Nano-D 50-pins Right Angle

10x SMP Straight Angle

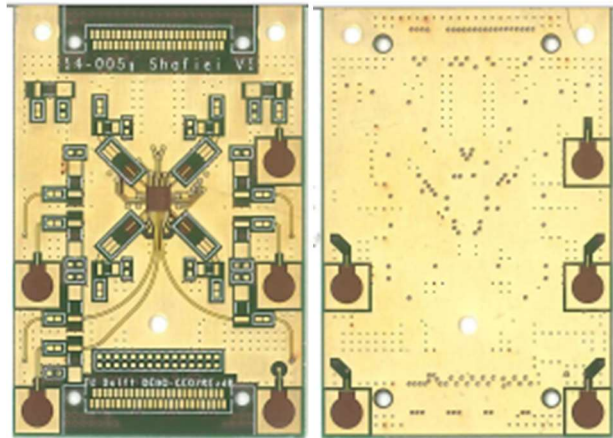
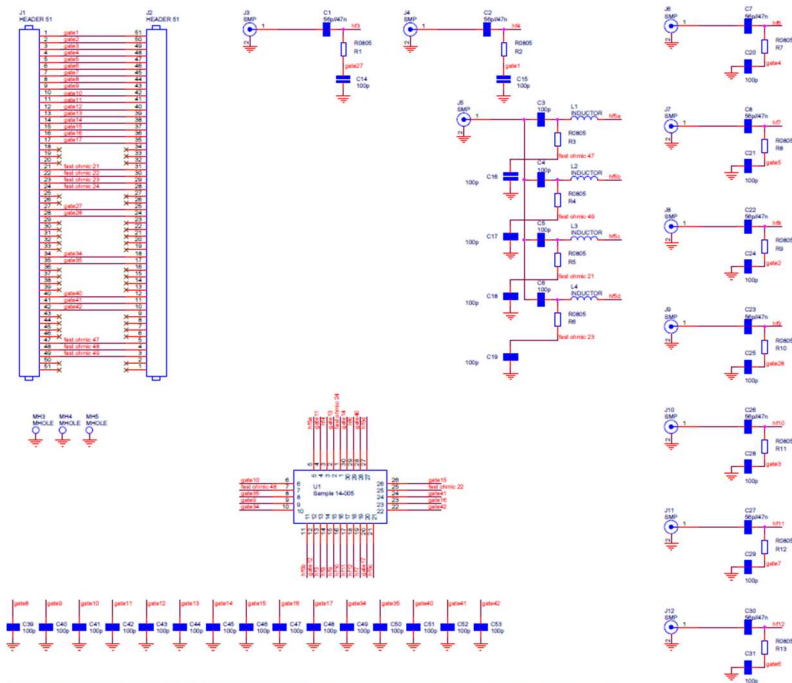
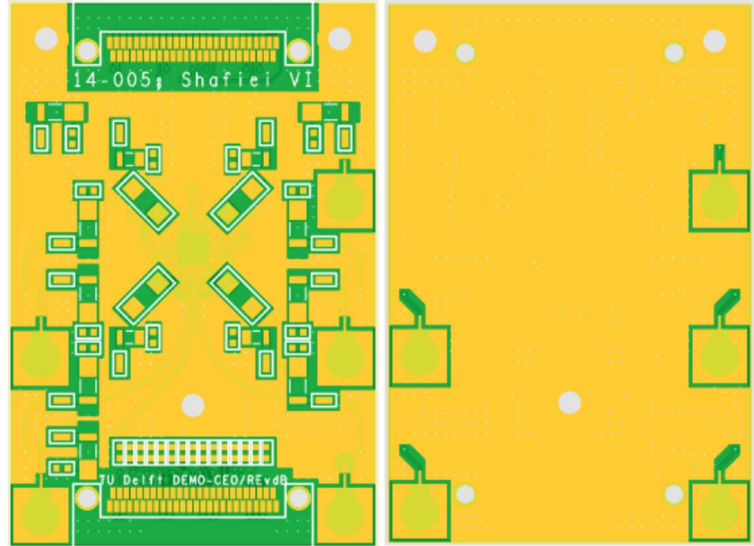
## Copper Finish:

Chemisch Ni/Au Selectief

## Size (LxWxT):

52 x 35 x 1.55

## Schematic:





# 14-006 Sample Board Pribiag I

## Connector:

2x Nano-D 50-pins Right Angle

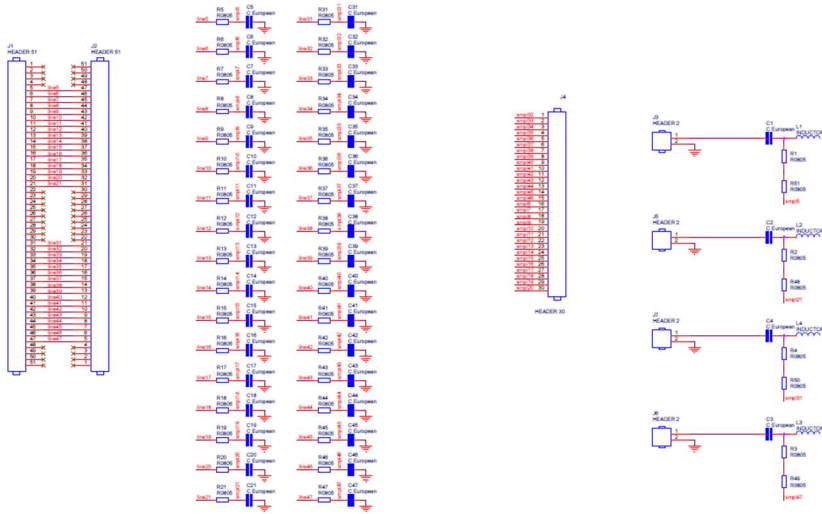
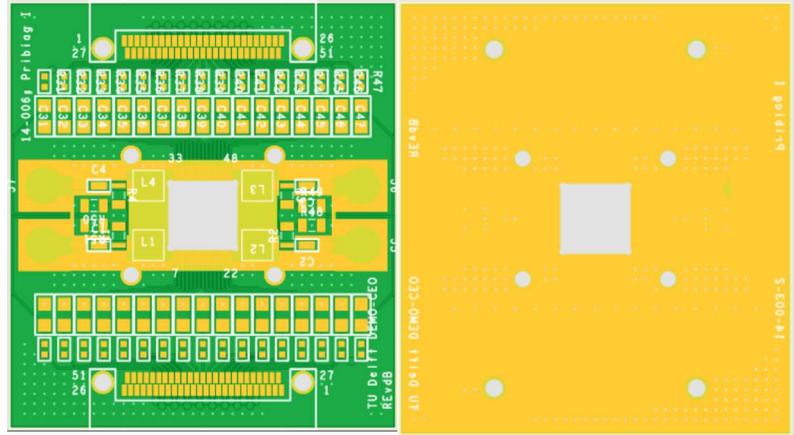
## Copper Finish:

Chemisch Ni/Au Selectief

## Size (LxWxT):

43 x 39 x 1.55

## Schematic:



# 14-013 Sample Board Samkharadze

14-013

**Connector:**

8x SMP Straight Angle

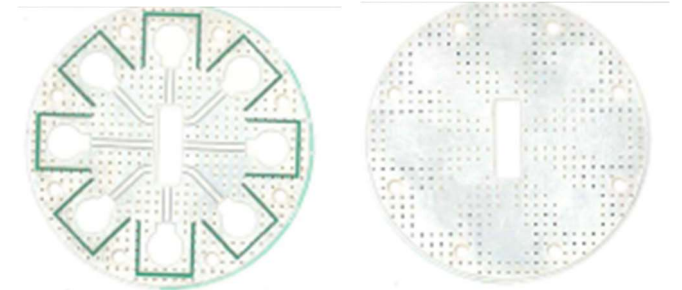
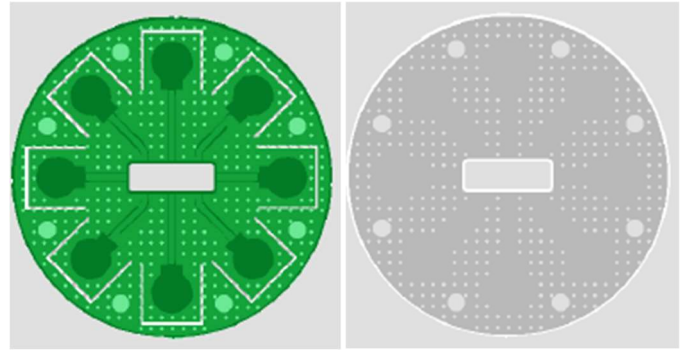
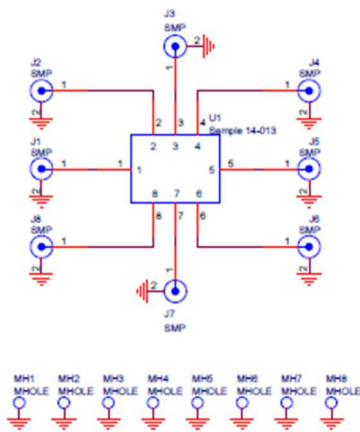
**Copper Finish:**

Chemisch Ag Selectief

**Size (LxWxT):**

30 x 30 x 0.5

**Schematic:**



# 14-013-2

## Connector:

8x SMP Straight Angle

2x Nano-D 50-pins Right Angle

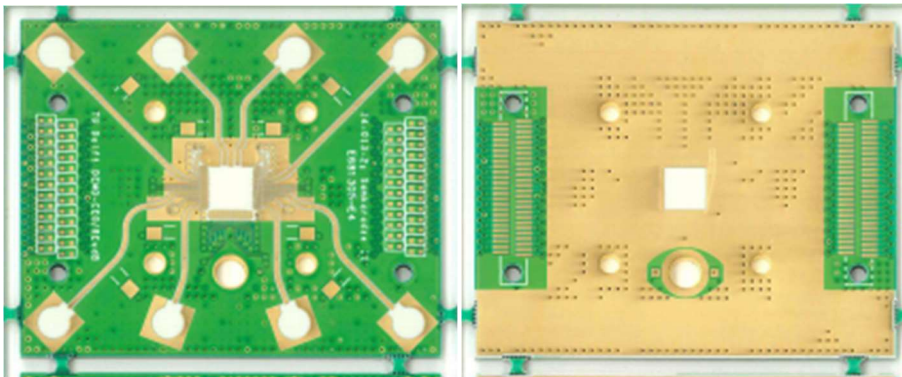
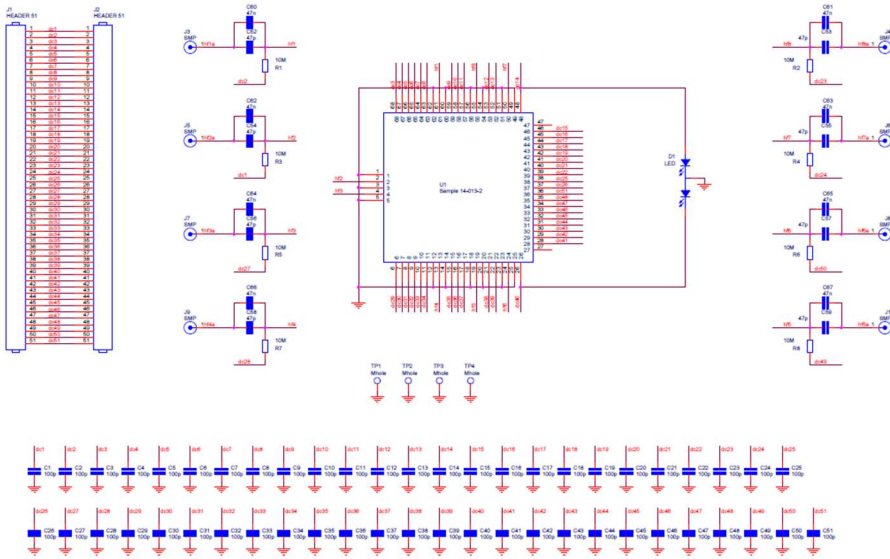
## Copper Finish:

Chemisch Ni/Au Selectief

## Size (LxWxT):

50 x 40 x 1.55

## Schematic:



# 14-016 Sample Board Buscema I

## Connector:

4x 7-pins 2.54mm Harwinn Connector

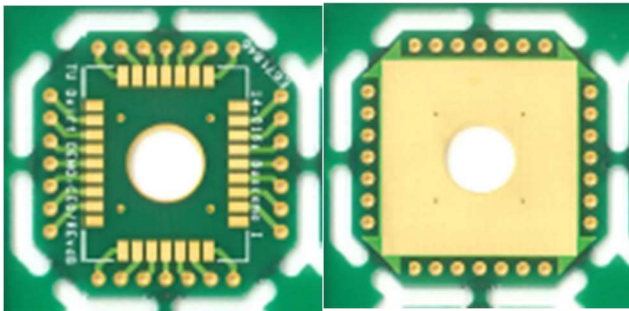
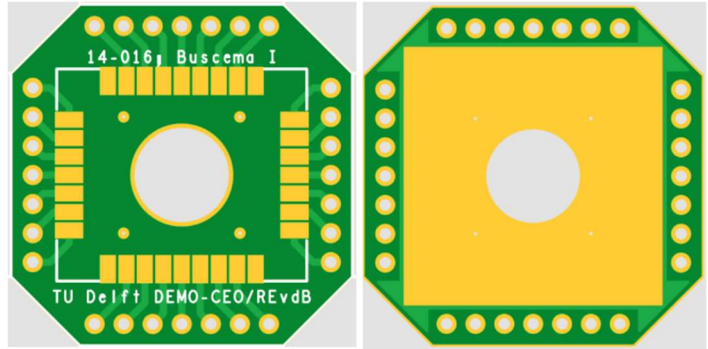
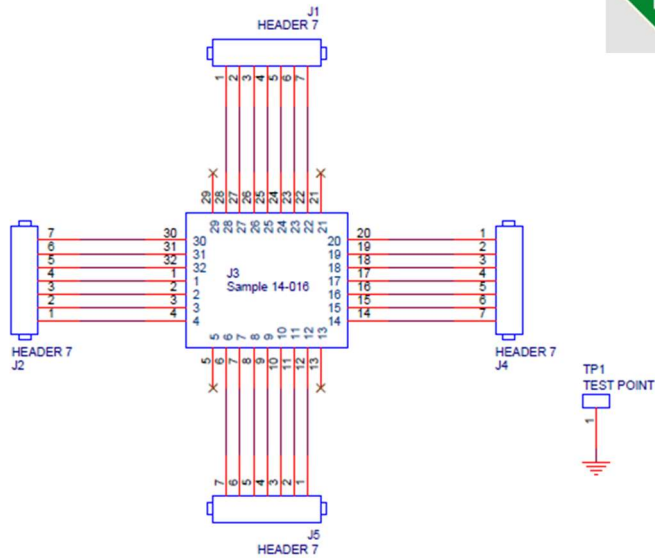
## Copper Finish:

Chemisch Ni/Au Selectief

## Size (LxWxT):

23.5 x 23.5 x 1.55

## Schematic:



# 14-019 Sample Board Beukman

14-019

**Connector:**

2x Nano-D 50-pin Right Angle

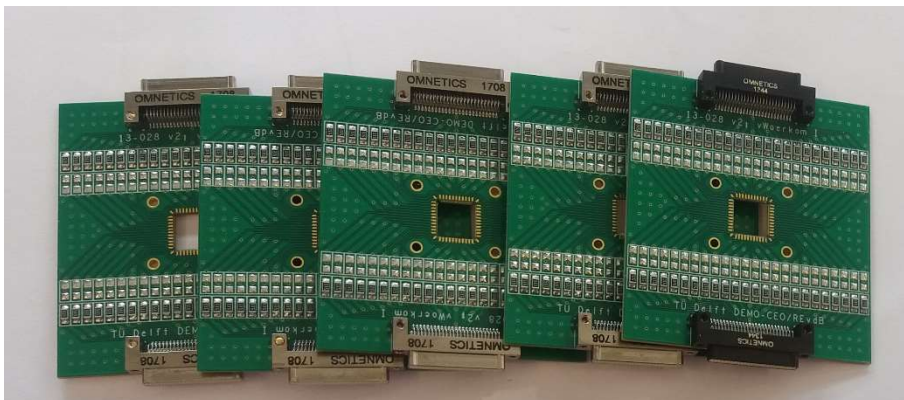
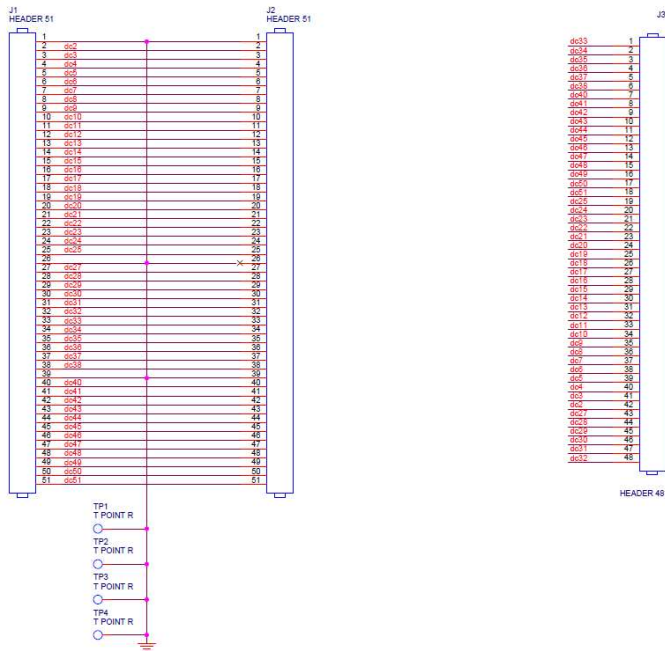
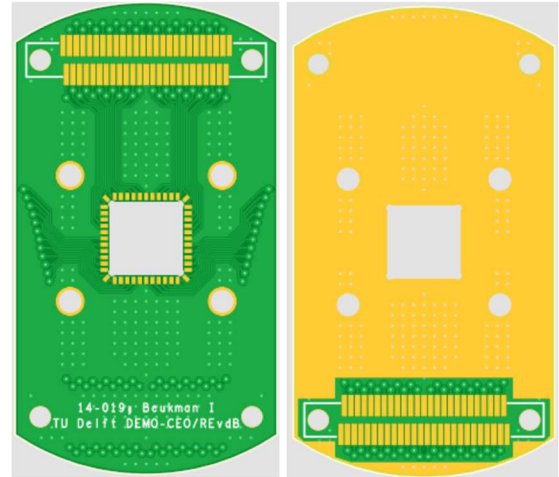
**Copper Finish:**

Chemisch Ni/Au Selectief

**Size (LxWxT):**

45 x 25 x 1.55

**Schematic:**



14-019-2

**Connector:**

4x SMA Straight Angle

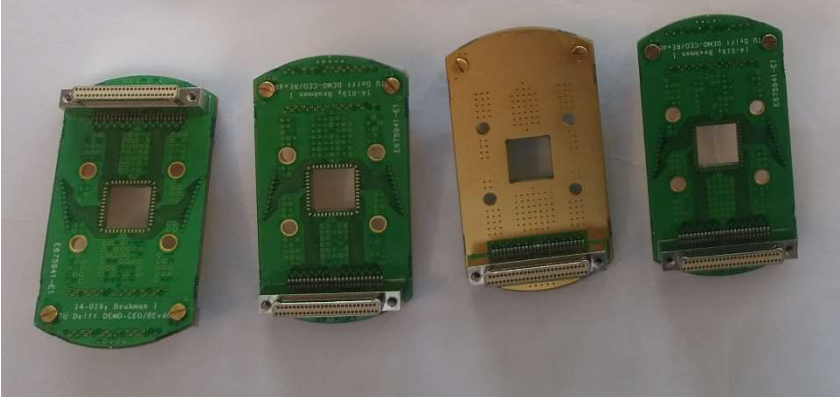
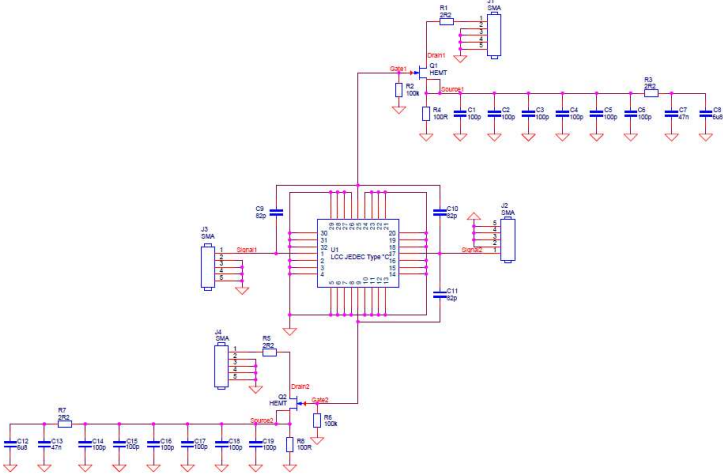
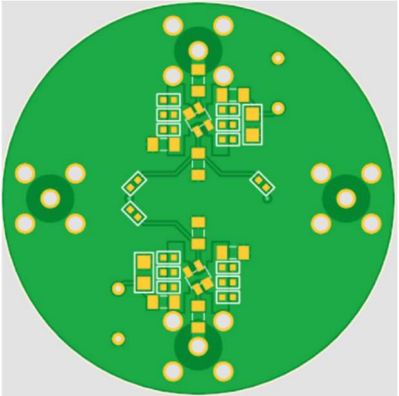
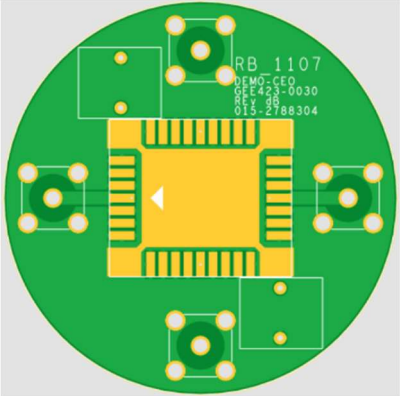
**Copper Finish:**

Chemisch Ni/Au Selectief

**Size (LxWxT):**

40 x 40 x 1.55

**Schematic:**



# 14-020 Sample Board Mensingh

14-020

**Connector:**

2x FFC50 Right Angle

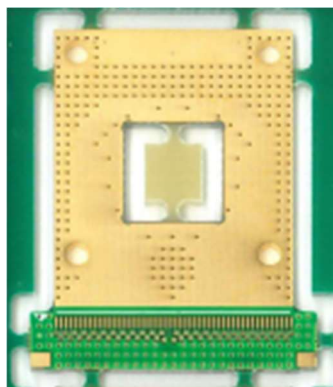
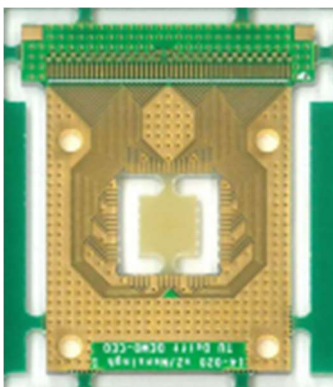
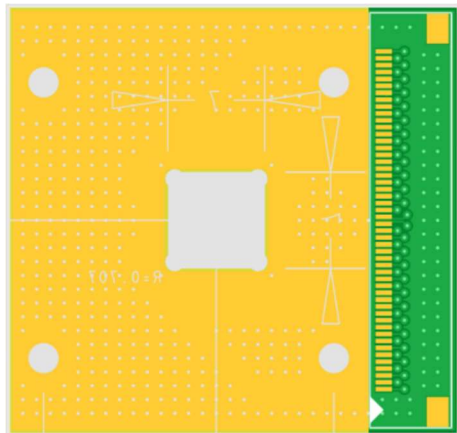
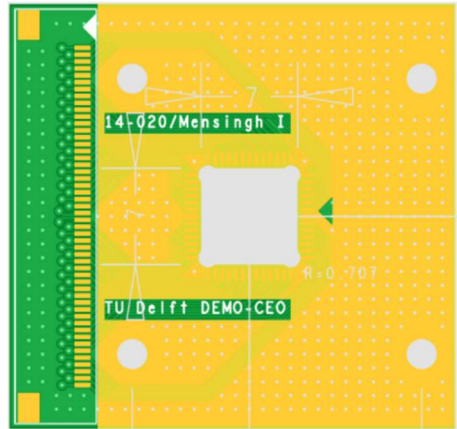
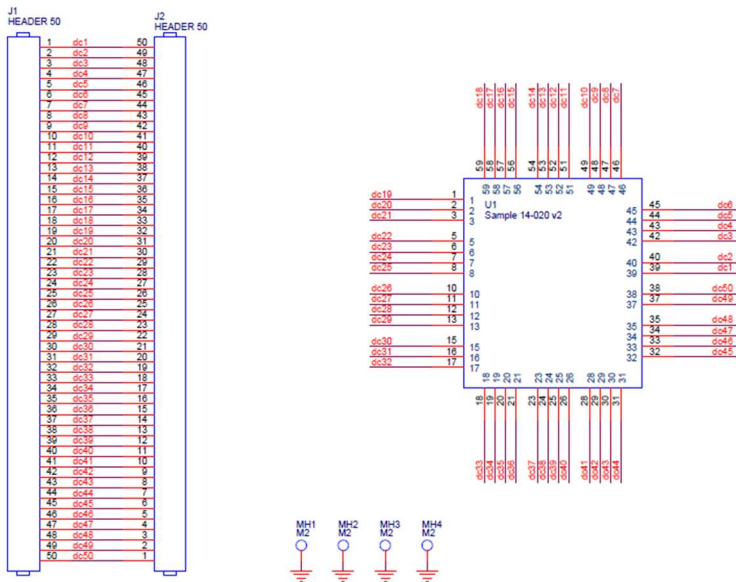
**Copper Finish:**

Chemisch Ni/Au Selectief

**Size (LxWxT):**

31 x 32.5 x 0.8

**Schematic:**



# 14-020-2

## Connector:

Connect to 14-020

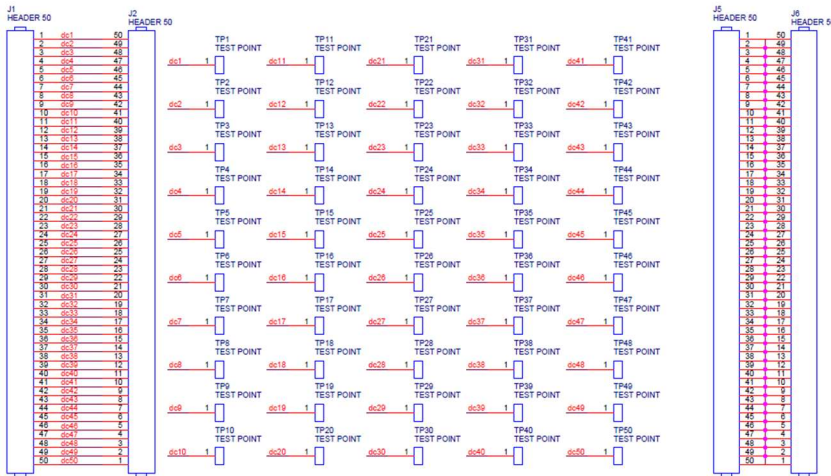
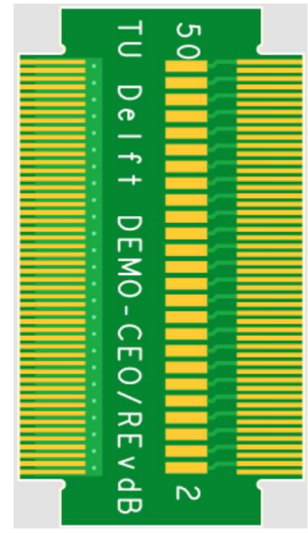
## Copper Finish:

Chemisch Ni/Au Selectief

## Size (LxWxT):

31 x 17 x 0.2

## Schematic:





# 14-021 Sample Boards Kawakami

## Connector:

2x FFC35 Right Angle

3x SMA Edge Connector

1x SMA Right Angle

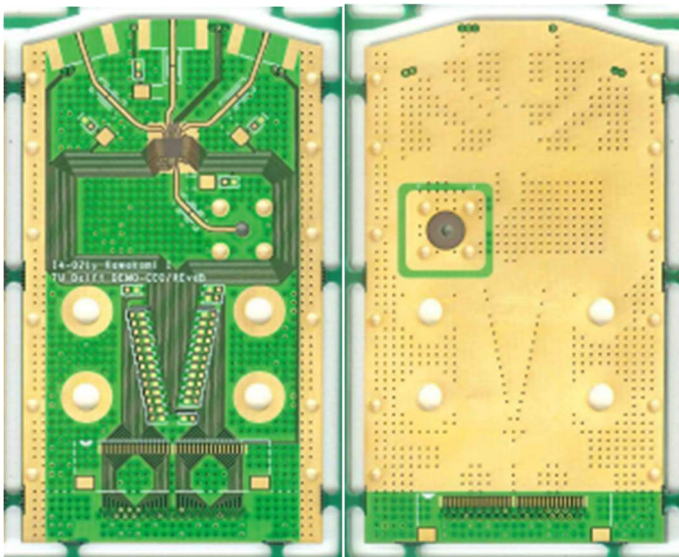
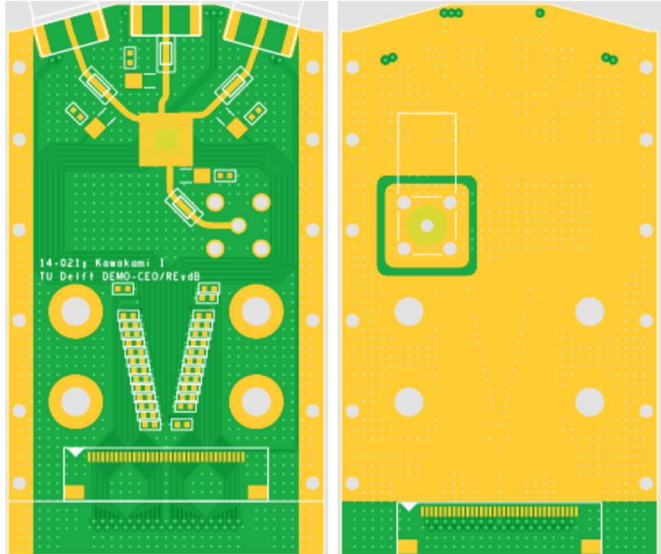
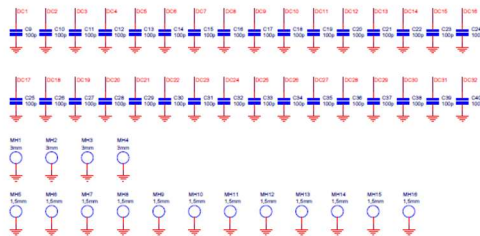
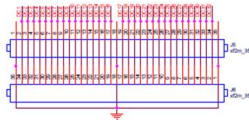
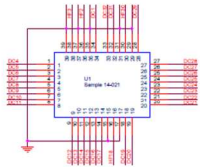
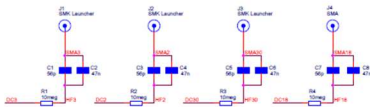
## Copper Finish:

Chemisch Ni/Au Selectief

## Size (LxWxT):

61 x 35 x 1.55

## Schematic:



# 14-022 Sample Boards Baart

## Connector:

2x Nano-D 50-pin Right Angle

10x SMP Straight Angle

## Copper Finish:

Chemisch Ni/Au Selectief

## Size (LxWxT):

52 x 35 x 0.8

## Schematic:

